

## Taking the guesswork out of **management & restocking**

A complete M2M telemetry solution  
ideally suited for Unattended  
machine operators and other  
unattended applications

### Remote Secure Terminal

- ▶ External communication -  
GSM/GPRS/CDMA/Ethernet/Wifi
- ▶ MDB/Pulse/VCCS/ccTalk
- ▶ DEX/DDCMP/RS232 Interface



1

### Intelligent Telemetry

The AMIT 3.0 from Nayax is an intelligent telemetry device that provides the ability to monitor machines in real-time with continuously updated information on all aspects of operation.

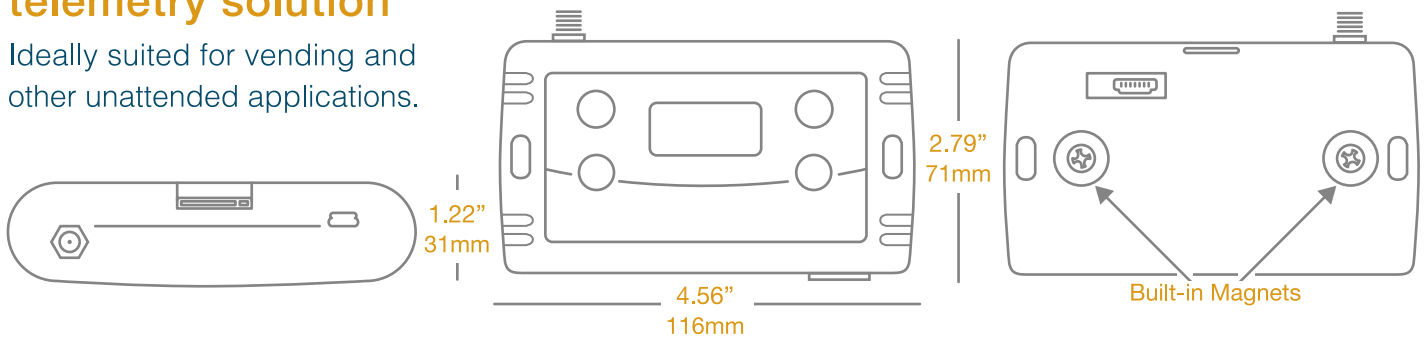
2

### Enabling Powerful Capabilities

Inventory, cash monitoring, alerts, reports, route planning and remote device control

## A complete M2M telemetry solution

Ideally suited for vending and  
other unattended applications.



### Temperature

Operating Temperature	-30°C - 50°C	-22°F - 122°F
Humidity	5% - 95% (non-condensing)	
Storage Temperature	-40°C - 60°C	-40°F - 140°F
Humidity	5% - 95% (non-condensing)	

### Peripheral Ports

Mini USB (Host/Device), Ethernet with external Wi-Fi capability

1 X Reader interface

2 X RS232 interface (RS232 or TTL level manageable through software)

2 X Pulse input/output interfaces + pulse input (Inhibit)

2 X Sensors - door open, temperature sensor

### Main Features

ARM Technology - Cortex , 32-bit, 168 Megahertz

High Security Encryption System: AES/DES/RSA/SSL

External flash up to 16 MB

MDB Spy - Capture and analyze messages from  
all MDB peripherals

### Physical Dimensions

H	4.56"	116mm
D	1.18"	30mm
W	2.55"	65mm
Weight	4.93 ounces	140 grams

### Installation & Support

Easy installation - Device attached to the machine by  
2 built in magnets

Remote software update

Multi-language Support - LCD text & Voice Audio

Menu navigation and service functionalities

### Power

Power supply: input 10 - 42 Volt AC, 10 - 30 Volt DC,  
External output 8 Volt DC

Power consumption 0.3 watt  
(Idle State) - 1 watt (online) 1.9" / 48.3mm

2 X Super capacitors - for power down alert

Electrostatic discharge: IEC 61000-4-2, level 4 (ESD)

International Protection Rating: IP50

Using Nayax, automated machine operations all over the world are able to  
accept all forms of payment, with easy installation, clearance, monitoring  
and management.

Get Nayax for greater revenue,  
reduced expenses and higher profits.

Contact us today to learn more.